

SXM

- HIGH QUALITY
- HEAVY LOAD
- LONG SERVICE TIME

ROLLING MILL BEARINGS

SXM BEARING
TECHNOLOGY

WUXI SHENXI BEARING MANUFACTURING CO., LTD.

www.sxz-bearing.cn

Company Profile

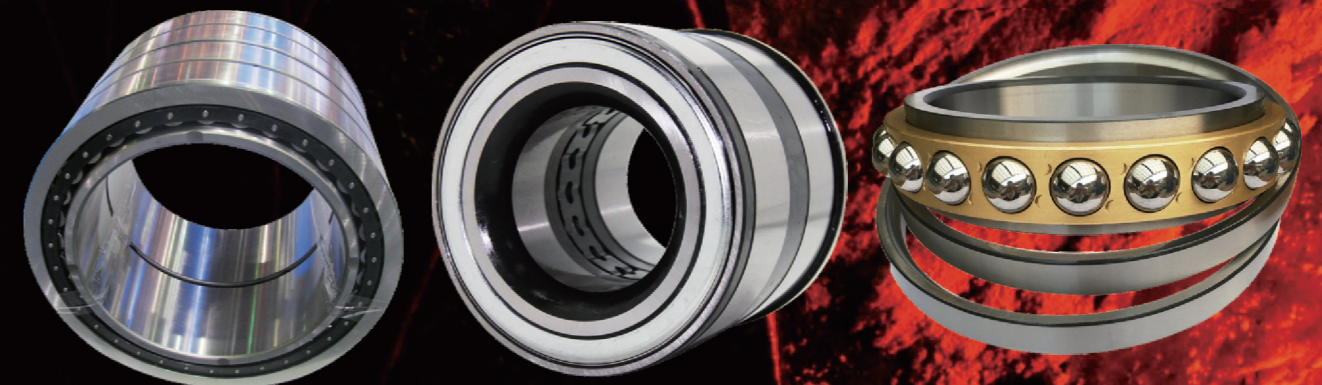
Four-row Cylindrical
Roller Bearing

Four-row Taper
Roller Bearing

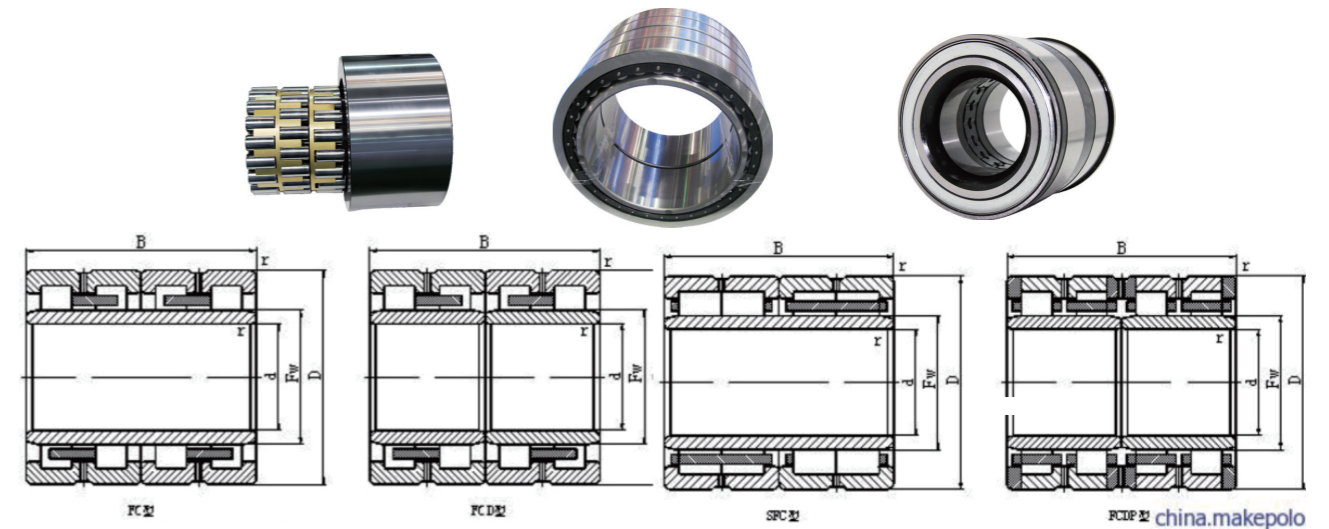
Angular Contact
Ball Bearing

Wuxi Shexi Bearing Manufacturing Co., Ltd was found in 2006. We can produce a variety of rolling mill special bearing, and can provide an overall solution for the import of bearing localization. Besides that, SXM with product range covering spherical roller bearings, tapered roller bearings, deep groove ball bearings, pillow block bearings, and related parts. From primary metals, mining, off-highway, paper, to cement, crane and elevator, we been well recognized by customers in these key industries all around China as well as some overseas regions. Annual production capacity of 4 million sets of bearings, approximately 40% of exports, and export to Europe, Middle East, and Southeast Asia.

Our company's philosophy is "provide valuable products, customer satisfaction first". Prompt delivery, qualified products, efficient sale service is our final goal. Looking forward to start healthy win-win cooperation with you for long term.



Four-row Cylindrical Roller Bearing



This type bearing has a very high radial load capacity but no axial load capacity .
 With relative smaller radial measurements , it gives a higher limiting speed. There are no ribs in inner ring, it allows for assembling inner and outer rings' units(for example with full set rollers and cage).
 Design Attributes • Higher radial load capability, Better precision in rotating, Easy to fit or removal, the Premier choice for various rolling mills bearings.

FC type has two outer rings with ribs, full set of outer ring(ourter ring, rollers and cages), and one inner ring. Cages are rib-type. FCD type has two outer rings with ribs, full set of outer ring(ourter ring, rollers and cages), and two inner rings. Cages are rib- type.

FCDP type has two outer rings without ribs, full set of rollers and cages, two inner rings, two rib rings and one middle snap ribring. Cages are rib-type.

FC type: The sides of outer ring have lubricating groove FCD type: The sides of outer ring have lubricating groove.
 FCDP type: The radial surfaces of both outer ring and middle rib ring have lubricating groove and oil bore.

Model	d	D	B	Fw	Weight(kg)	SKF	FAG
FC182870	90	140	70	105	4.2		
FC182874	90	140	74	105	4.5		
FC1828105	90	140	105	105	6.1		
FC202870	100	140	70	111	3.3		
FC2028104	100	140	104	111	5.1		
FC2030106	100	150	106	113	6.8		
FC223490	110	170	90	127	7.9		
FC2234120	110	170	120	127	10.3		
FC243692	120	180	92	137	8.4		
FC2436105	120	180	105	136	9.6		
FC2640104	130	200	104	150	12.5		
FC2640125	130	200	125	149	14.9		
FC2838119	140	190	119	154	9.9		
FC2842106	140	210	106	158	13.5		
FC2842125	140	210	125	158	15.7		



We firmly believe

Advanced production equipment and perfect testing equipment can produce high quality products We win the trust of our customers by perfect service Truly achieve the integration of production and service We wish to join hands with you

Model	d	D	B	FW	Weight(kg)	SKF	FAG
FC3045150	150	225	150	169	21.7		
FC3046156	150	230	156	174	23.6	313891A	502894
FC3246130	160	230	130	180	18.6		
FC3246130	160	230	130	180	18.6		
FC3248124	160	240	124	183	19.8		
FC3248168	160	240	168	183	27.2		
FC3446180	170	230	180	186	22.9		
FC3450170	170	250	170	192	28.4		
FC3452120	170	260	120	195	25		
FC3452150	170	260	150	195	30.2		
FC3452170	170	260	170	196	34.9		
FC3452225	170	260	225	195	42.8	313587B	505470
FC3650156	180	250	256	200	24.3		
FC3652120	180	260	120	202	21.8		
FC3652124	180	260	124	202	21.5		
FC3652168	180	260	168	202	29.1	313812C	507536
FC3562180	180	260	180	202	33.2		
FC3656180	180	280	180	207	43.1		
FC3852124	190	260	124	213	20.2		
FC3852168	190	260	168	212	28.2	313651	567735
FC3854168	190	270	168	212	30.8		
FC3854200	190	270	200	212	38.3	314199B	508657
FC3856200	190	280	200	214	40.1	314049A	510199
FC4054170	200	270	170	220	29.6	314533	522742
FC4056188	200	280	188	222	38.4		
FC4056200	200	280	200	224	40.5	313893	508726
FCDP102136500/HC	510	680	500	560	522	BC4B319411	567725A
FCD102146520/HC	510	730	520	569	745	BC4-8009/HB1	541646
FCDP102152550/HC	510	760	550	570	950	BC4-8007HB1	517690
FCDP106152520/HC	530	760	520	587	775	314886A	531597
FCDP106156500/HC	530	780	500	591	805	315040	
FCDP106156570/HC	530	180	570	601	952	314517A	517689A
FCDP110148510/HC	550	740	510	600	621	316691B	532843
FCDP110160520/HC	550	800	520	612	895	316115	
FCDP110160560/HC	550	800	560	610	930	BC4B322719/HB1	517688
FCDP114150530/HC	570	750	530	622	622		
FCDP114160514/HC	570	800	626	514	863		

Model	d	D	B	FW	Weight(kg)	SKF	FAG
FCDP114166600/HC	570	830	600	635	1140		
FCDP120164575/HC	600	820	575	600	910	313175A(C)	
FCDP120174540/HC	600	870	540	672	1150	315068A	
FCDP120174640/HC	600	870	640	672	1340	315513	
FCDP122164430/HC	610	820	430	665	652	315257A	
FCDP126180670/HC	630	900	670	698	1443		
FCDP130180650/HC	650	900	650	704	1260	BC4-8002/HA6	
FCDP130184670/HC	650	920	670	723	1460	313007C	
FCD132164440/HC	660	820	440	702	530	239509FA	
FCD132176450/HC	660	880	450	727	785	313477	
FCDP136188600/HC	680	940	600	743	1260		533683
FCDP136196640/HC	680	980	640	760	1590	313154	524229
FCDP138196715/HC	690	980	715	767.5	1780	313008A	517681
FCDP138196750/HC	690	980	750	766	1850		
FCDP140186620/HC	700	930	620	763	1197	316967	530487
FCDP140196700/HC	700	980	700	774	1680		
FCDP142200715/HC	710	1000	715	787.5	1860	313403A	517680A
FCDP146188500/HC	730	940	500	780	872		526447
FCD146192620/HC	730	960	620	790	1220	315982	525438
FCDP14206750/HC	730	1030	750	809	2040	314518B	517679
FCD150200500/HC	750	1000	500	816	1150	314420/VJ202	
FCDP150200670/HC	750	1000	670	813	1480	315973	524881A
FCDP152216787/HC	761.425	1079.602	787.4	845	2390		
FCDP156214780/HC	780	1070	780	853	2300	BC4-8015/HB1	540088
FCDP160216700/HC	800	7080	700	878	1850	315599A	52619
FCDP160230850/HC	800	1150	850	905	3150		524137
FCDP164226800/HC	820	1130	800	903	2540	BC4B320455	
FCDP170230840/HC	850	1150	840	928	2570	315826A(B)	5445636
FCDP170236850/HC	850	1180	850	940	2970		
Fc4156190	205	282	190	227	35.6		
FC4258192	210	290	192	234	41.1	313646	507628
FC4260210	210	300	210	234	51		
FC4260170	210	300	170	234	41.4		
FC4460192	220	300	192	242	45.1	313839	507333
FC4462192	220	310	192	246	46.6	313839	507333
FC4462225	220	310	225	245	56.6		
FC4464210	220	320	210	248	60.8		

Model	d	D	B	FW	Weight(kg)	SKF	FAG
FC4468192	220	340	192	246	63.2	314889	541152
FC4666206	230	330	206	260	59	313824	508727
FC4668260	230	343	260	261	76		
FC4866220	240	330	220	264	56.4	313921	508368
FC4868192	240	340	192	266	60		
FC4872220	240	360	220	272	80.4		
FC5068170	250	340	170	274	47.9		
FC5068230	250	340	230	276	62.8		522310
FC5070220	250	350	220	278	66.8		
FC5072220	250	360	220	278	78		
FC5272192	260	360	192	288	63.3		
FC5272200	260	360	200	288	65.1		
FC5274200	260	370	200	292	74.6		
FC5274220	260	370	220	292	77.3	313823	507336
FC5276220	260	380	220	292	80.3		
FC5276280	260	380	280	295	90.6		
FCD5280290	260	400	290	296	135	313427B	518214
FC5476230	270	380	230	298	86.6		
FC5476275	270	380	275	298	102		
FC5478240	270	390	240	298	99		
FC5678220	280	390	220	312	81.2	313822	507339
FC5678240	280	390	240	312	93.1		
FCD5678275	280	390	275	308	108	314719C	257104
FC5684275	280	420	275	318	137		
FC5882240	290	410	240	320	106		
FCD5884300	290	420	300	327	143		
FC6084240	300	420	240	332	110		
FCD6084300	300	420	300	332	134	314484D	524289B
FCD6488240	320	440	240	351	113		
FCD6488300	320	440	300	352	142		
FC6490240	320	450	240	355	121		
FCD6492240	320	460	240	364	137	BC4B322216	
FCD6492280	320	460	285	357	159		
FCD6890250	340	450	250	369	114	BC4-8050	
FCD6892260	340	460	260	370	128		
FCD6896350	340	480	350	378	207		
FCD6896280	340	480	280	378	161		
FCD70100380	350	500	380	380	242	314563	

Model	d	D	B	FW	Weight(kg)	SKF	FAG
FCD70104300	350	520	300	401	220	BC2B319878	
FCD72100250	360	500	250	394	146		
FCD72102370	360	510	370	399	242		
FCD72104380	360	520	380	405	273		
FCD72110430	360	550	430	409	373		
FCD74104380	370	520	380	409	263	314486A	513975
FCD/74108380	370	540	380	416	322		
FCD74108400	370	540	400	416	312		
FCD76100300	380	500	300	412	160		
FCD76104300	380	520	300	426	199		
FCD76108300	380	540	300	422	222		
FCD76108380	380	540	380	422	278		
FCD76108400	380	540	400	422	290	BC4B313511B	517792
FCDP76108400	380	540	400	422	312		
FCDP78108320	390	540	320	431	230	BC4B322498	
FCDP78110310	390	550	310	430	240	313190A	
FCD80112410	400	560	410	445	341	313015DC	513761A
FCD80118440	400	590	440	450	415	315802	542395
FCDP82112400	410	560	400	450	300	316689	543736
FCDP82120440	410	600	440	460	425	313877B	517436
FCD84116260	420	580	260	468	210	BC2B320074A	
FCD84116320	420	580	32	463	250	313555B	533053
FCDP54120440	420	600	440	470	400	313513	517464
FCD84124400	420	620	400	473	410	314391	
FCD88124450	440	620	450	487	430	314554B	517454A
FCD88130355	440	650	355	494	420	316899A	
FCD88126450	440	630	450	490	456		
FCD88132340	440	660	340	492	407		
FCDP90118300	450	590	300	490	245	315811E	
FCDP92130424	460	650	424	510	450	315196A	513584A
FCDP92130470	460	640	470	509	510	314560	518846
FCDP96130450	480	640	450	525	401	316690B	547660
FCDP96136420	480	680	420	528	515	319320	533522
FCDP96136500	480	680	500	532	605	313516D	51445A
FCDP96136500/HC	480	680	500	532	606	313516D	51445A
FCDP100130260/HC	500	650	260	542	225	319254	

Four-row Taper Roller Bearing



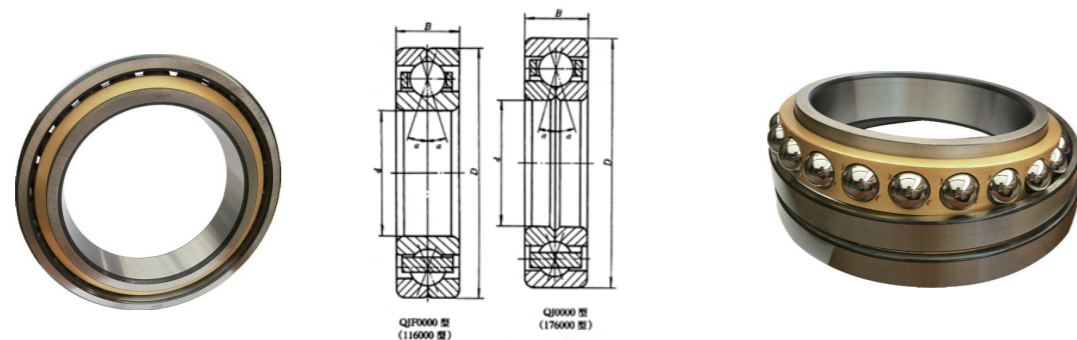
The performance of four-row tapered roller bearing is basically the same as that of double-row tapered roller bearing, but it bears greater radial load and lower limit speed than double-row tapered roller bearing, which is mainly used for heavy machinery. This kind of bearing can bear axial load outside the radial load in this application situation. Generally speaking, no additional thrust bearing is required in the bearing configuration.

BEARING NO.(NEW)	BEARING NO.(OLD)	d	D	B	WEIGHT(KG)
382028	2077128	140	210	185	24.1
382030	2077130				
382032	2077132				
382034	2077134	170	260	230	39.5
382036	2077136				
382038	2077138				
382040	1077140	200	310	275	
382044	2077144	220	340	305	97.9
382048	2077148	240	360	310	110
382052	2077152	260	400	345	153
382056	2077156				
382060	2077160	300	460	345	117
382064	2077164	320	480	380	234
381068/HC	77168S	340	520	325	234
381072C9/HC	77172US	360	540	325	248
381076/HC	77176S	380	560	325	281
381080/HC	77180S	400	600	356	317
381084/HC	77184S	420	620	356	358
381088/HC	77188S	440	650	376	401
381092/HC	77192S				
391096/HC	77196S	480	700	420	547
3810/500/HC	771/500S	500	720	420	565
3810/530/HC	771/530S	530	780	450	744

BEARING NO.(NEW)	BEARING NO.(OLD)	d	D	B	WEIGHT(KG)
3810/560/HC	771/560S				
3810/600/HC	771/600S	600	870	480	995
3810/630/HC	771/630S	630	820	515	1158
3810/670/HC	771/670S				
3810/710/HC	771/710S				
3810/750/HC	771/750S	750	1130	690	
381156/HC	1077756S	280	460	324	200
381160/HC	1077760S	300	500	370	285
381168/HC	1077768S	340	580	425	441
381172/HC	1077772S	360	600	420	
381176/HC	1077776S	380	620	420	519
381180/HC	1077780S				
381184/HC	1077784S	420	700	480	760
381188/HC	1077788S				
381192/HC	1077792S				
381196/HC	1077796S				
3811/500/HC	10777/500S	530	870	590	1422
3811/530/HC	10777/530S				
3811/560/HC	10777/560S	560	920	620	1635
3811/600/HC	10777/600S	600	980	650	1970
3811/630/HC	10777/630S	630	1030	670	2170
381060X2/HC	77760S	300	500	350	286
380670C3/HC	3G7770S	350	590	420	475
380676/HC	77776S	300	500	350	
380679/HC	77779S	395	545	288.7	194
381088X2/HC	77788S	440	650	335	385
381088X2C9/HC	77788VS				
380692X2/HC	77792S	460	730	440	694
3811/560X2/HC	777/560S	560	920	620	1635
3811/600/HC	777/600S	600	980	650	1970
3810/650/HC	777/650S				
3810/650C9/HC	777/650US				
3810/6501/HC	777/650KS				
3810/660/HC	777/660S	600	980	650	1970
3810/750/HC	777/750S	750	1220	840	3994
382960X2/HC	77860US				
380664/HC	77864S	320	460	338	180
380672/HC	77872S				
380680/HC	77880CS	400	540	280	175
380284X2/HC	77884S	420	760	500	1039
380688/HC	77888S	440	620	484	440
380692/C2	2G77892S	460	650	474	495
382926	2077926				

BEARING NO.(NEW)	BEARING NO.(OLD)	d	D	B	WEIGHT(KG)
382928	2077928				
382930	2077930	150	210	165	
382932	2077932				
382934	2077934				
382936	2077936				
382938	2077938				
382940	2077940	200	282	206	42.7
382944	2077944				
382949	2077948				
382952	2077952	260	360	265	76.3
382956	2077956				
382960	2077960				
382964	2077964	320	460	338	180
382968	2077968	340	460	310	145
382972	2077972	360	480	160	74.3
SKF330758A	77961S				
SKF330822B	77953S				
FAG532968	77971S				
FAG511860	77956S	460	620	310	250
381992/HC	1077992S				
381996/HC	1077996S				
3819/560/HC	10779/560S	560	750	368	456
3819/600/HC	10779/600S	600	800	380	536

Angular Contact Ball Bearing



This type is separable. The inner or outer ring is split, allowing for higher carrying capacity. These bearings can support joint load, radial load and axial load in both directions due to the four points of contact available. They control the axial displacement of shaft or shell sides within bearings' axial clearance.

Being compared with Deep Groove Ball Bearings, under conditions of the same radial clearance, Four-point Angular Contact Ball Bearings are with relative higher axial load and higher limiting speed; but their axial load is lower than that of Double Row Angular Contact Ball Bearings.

For convenient installation, these bearings are of two versions: Outer ring halves version and Inner ring halves version.

BEARING NO.(NEW)	BEARING NO.(OLD)	BOUNDARY DIMENSIONS(MM)			WEIGHT(KG)		
		d	D	B			
Qj1022	QJF1022	176122	116122	110	170	28	2.6
QJ1024	QJF1024	176124	116124	120	180	28	2.6
QJ1026	QJF1026	176126	116126	130	200	33	4
QJ1028	QJF1028	176128	116128	140	210	33	4.2
QJ1030X1	QJF1030X1	176730	116730	150	224.5	35	5.1
QJ1030	QJF1030	176130	116130	150	225	35	5.1
QJ1032X1	QJF1032X1	176732	116732	160	239.5	38	6.3
QJ1032	QJF1032	176132	116132	160	240	38	6.3
QJ1034X1	QJF1034X1	176734	116734	170	286.5	42	8.2
QJ1034	QJF1034	176134	116134	170	260	42	8.5
QJ3936	QJF3936	176736	116736	180	259.6	52	9.5
QJ1036	QJF1036	176136	116136	180	280	46	11
QJ1038	QJF1038	176738	116738	190	269.5	55	10.5
QJ1038	QJF1038	176138	116138	190	290	46	11.5
QJ3940	QJF3940	176740	116740	200	289.5	58	13.52
QJ1040	QJF1040	176140	116140	200	310	51	14.9
QJ3944	QJF3944	176744	116744	220	309.5	60	14.8
QJ1044	QJF1044	176144	116144	220	340	56	19.6
QJ3948	QJF3948	176748	116748	240	329.5	60	16
QJ1048	QJF1048	176148	116148	240	360	56	21
QJ3952	QJF3952	176752	116752	260	369.5	60	22
QJ1052	QJF1052	176152	116152	260	400	65	31.3
QJ1056	QJF1056	176156	116756	280	420	65	33.2
QJ1060	QJF1060	176160	116160	300	460	47	47
QJ1064	QJF1064	176164	116164	320	480	74	49.5
QJ1068	QJF1068	176168	116168	340	520	82	66
QJ1072	QJF1072	176172	116172	360	540	82	69.2
QJ1076	QJF1076	176176	116176	380	560	82	76
QJ1080	QJF1080	176180	116180	400	600	90	95
QJ1084	QJF1084	176184	116184	420	620	90	104
QJ1092	QJF1092	176192	116192	460	680	100	123
4024D		4086124		120	180	60	5.6
4026X2D		4086726		130	200	75	9.1
4028X3D		86728		140		66	8.4
4028D		4086128		140	210	69	7.8
4030X2D		86730		150	225	73	10.7
4030D		4086130		150	225	75	11
4030X3D		86830		150	230	70	11.3
4032D		4086132		160	240	80	13.3
4034D		4086134		170	260	90	18
4936X3D		86736		180	259.6	66	12
1036D		4086136		180	280	100	24
4938X3D		86738		190	269.5	66	12.5
4038D		4086138		190	290	100	25
4940X3D		86740		200	279.5	76	15.2
4940X3D-1		86840		200	289.5	76	15.5
4040D		4086140		200	310	109	31.8
4944X3D		86744		220	309.5	76	16.5
4044D		4086144		220	340	118	40.9
4649X1D		86746		230	329.5	80	23.5
4048X1D		4086148K		240	359.5	118	44
4048D		408648		240	360	118	44
4048X3D		86748K		240	370	112	46
4952X3D		86752		260	369.5	92	33
4052X3D		156152		260	400	130	56
4052D		4086152		260	400	140	66.3
4956X3D-1		86756KH		280	389.5	92	35.6
4956X3D		86756		280	390	952	35.7
4056D		4086156		2850	420	140	71
4056X2D		156156		280	420	130	63.5
4060X3D		86760		300	419.5	112	50.5
4060D		4086160		300	460	160	101
4060X2D		156160		300	460	148	84.4
4064X3D		86764		320	459.5	140	80
4064D		4086164		320	480	160	98
4068D		4086168		340	520	180	104
40/530		4086/530		530	760	200	274